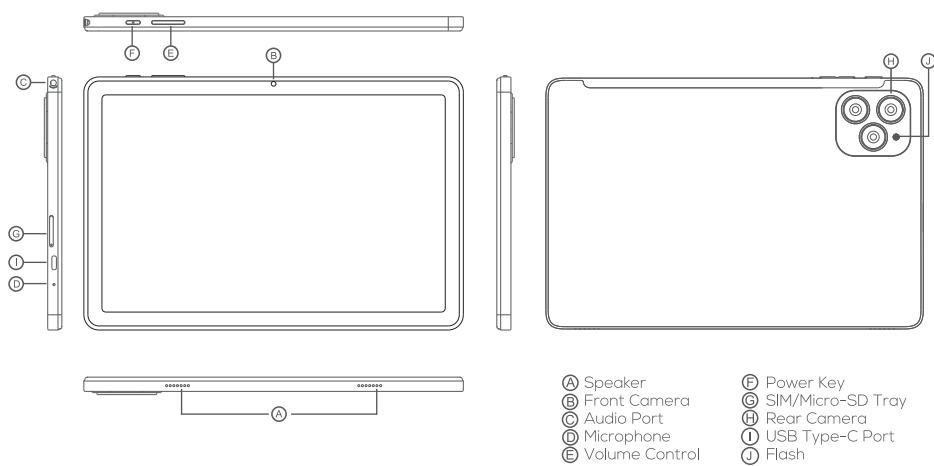


# LOGIC L-PAD



## USER MANUAL

### 1. HARDWARE OVERVIEW



- A Speaker
- B Front Camera
- C Audio Port
- D Microphone
- E Volume Control
- F Power Key
- G SIM/Micro-SD Tray
- H Rear Camera
- I USB Type-C Port
- J Flash

### 2. WELCOME

This user manual with the operating instructions and the legal information booklet are part of the product. Please read all this information carefully before you turn on your device. They contain important information about device safety, usage and disposal.

Please keep this document in a safe place and pass them on in full to the new owner if the device changes hands.

Package contents:

- L-PAD Tablet
- Power adapter (100V-240V, 5V/2A) + USB-C Cable
- Card-slot tool
- Tablet rugged flip case
- User Manual

Remove all components from the packaging and remove the packaging material, including the protective film. Check to ensure that the delivery is complete.

If you find that there are missing or damaged components, contact customer service immediately.

\*Depending on model

#### Operation and storage

- Temperatures: 5°C to 30°C
- Relative humidity: 30% to 70%
- Refer to the detailed operating instructions for technical specifications on the power adapter and battery. The battery in this product cannot be easily replaced by users themselves.

### 3. TECHNICAL SPECIFICATIONS

Operating System	Android 16.0
Display	10.1" IPS (HD) 800*1280
RAM	4GB + 8GB Extended Max
ROM	64GB
CPU	Unisoc T310 Quad-Core
GPU	VR GE8300
Battery	5000mAh, Li-Ion Polymer
Ports	Type-C 2.0, ø3.5mm Standard Headphone Jack
Camera	5MP Front Camera, 13MP Rear Camera
Card Slot	Dual SIM with / Micro SD Slot
GPS/AGPS	Yes
Voltage	5V/2A
Network Access	WiFi 2.4G and 5G, BT v5.0 4G: B2/3/4/5/7/8/17/28AB/38/66 3G: B1/2/5/8 2G: QUAD-BAND

### 4. QUICK GUIDE

#### Charging the tablet

Charge the tablet fully before using it for the first time.

- a) Connect the USB-Cable into the supplied power adapter and to the charging socket (USB-C) on the tablet.
- b) Then plug the power adapter into a socket.

\*Only leave the power adapter connected to the socket until the battery of the tablet is fully charged. In addition, always disconnect the power adapter from the Tablet when you are not charging the Tablet.

IMPORTANT: Do not charge the tablet via USB ports on a PC or laptop. The required energy of over 2A can electrically overload these ports! Turning on the tablet for the first time a press the ON/OFF switch for approximately 5 seconds.

\*Each time you turn on the tablet after setting it up, the lock screen will appear during start up. To unlock the screen, drag the lock screen upwards from bottom to top with your fingertip.

#### The applications menu

The applications menu contains all the important functions of the tablet. You can find all the applications and widgets installed on your tablet by swipe up from the bottom of the screen.

\*The icon for opening the device settings (⚙️) is also found in activating WiFi and opening the browser.

- a) Open the settings.
- b) In the settings, tap "Network & internet" → "Internet".
- c) Use the tip of your finger to move the slider for Wi-Fi from left to right.
- d) Tap on word "Wi-Fi". The tablet searches for all available wireless networks.
- e) Tap the network that you wish to connect to.
- f) Enter the network key (password) if necessary.
- g) Tap "Connect". The tablet will then connect to the selected network.

#### Browser



The browser is an app located in the Applications menu.

Tap the icon to open the browser. To enter an internet address (URL), type it in the search bar displayed centrally at the top of the window.

#### Downloading and installing Apps via Google Play™

You must be connected to the internet to be able to download apps. You also need a Google™ account.

- a) Open the "Play Store" in the Applications menu.
- b) Sign in with your Google account. Google Play opens once you have signed in successfully.
- \*If you do not yet have a Google account, "Or create a new account" in application window. An assistant guides you through the process of setting up an account.
- c) Select an app.
- \*You can search the "Play Store" by using the search bar at the top of the screen or by clicking the desired category.
- d) Tap "Install" in the selected app.
- \*You may also have to accept the terms of use. Fee-based apps must be purchased before you can download them. You can find the installed app in the Applications menu.

#### Reset

If the Tablet "freezes" and no longer responds, you can reset it. To reset the device, hold down the ON/OFF switch until your tablet restarts/reboots. You can then reset the ON/OFF switch.

\*Any files that have not been saved will be lost when the Tablet is reset.

#### Switching off the tablet Standby

Briefly press the ON/OFF switch on the device to activate the standby mode. Press it again quickly to take the tablet out of standby mode.

#### Shutting down

- a) Press the ON/OFF switch for approximately 2 seconds. A selection window appears.
- b) Tap "Power OFF" in the selection window. The tablet shuts down and turns OFF.

#### Saving energy

- Deactivate the WiFi function when it is not in use.
- Only leave the power adapter connected to the socket until the tablet's battery is fully charged. In addition, always disconnect the power adapter from the tablet when you are not charging the tablet.
- Reduce the display brightness under "Display" → "Brightness level" in the settings.
- Activate standby mode or turn off the tablet completely if you are not using the tablet.

#### Inserting the SIM/micro-card

Carefully insert the tool pin into the opening next to the SIM Card carrier and push the card carrier out by carefully pressing in the pin. Insert a nano SIM Card into the lower part of the carrier. In the front part you can insert a second nano SIM or a Micro SD. Then carefully push the card carrier back into the tablet.

#### FCC Statement

1. This device complies with Part 15 of the FCC Rules. Operation is subject to the following two conditions:  
(1) This device may not cause harmful interference.

(2) This device must accept any interference received, including interference that may cause undesired operation.

2. Changes or modifications not expressly approved by the party responsible for compliance could void the user's authority to operate the equipment.

NOTE:  
This equipment has been tested and found to comply with the limits for a Class B digital device, pursuant to Part 15 of the FCC Rules. These limits are designed to provide reasonable protection against harmful interference in a residential installation.

This equipment generates uses and can radiate radio frequency energy and, if not installed and used in accordance with the instructions, may cause harmful interference to radio communications. However, there is no guarantee that interference will not occur in a particular installation. If this equipment does cause harmful interference to radio or television reception, which can be determined by turning the equipment off and on, the user is encouraged to try to correct the interference by one or more of the following measures:

- Reorient or relocate the receiving antenna.
- Increase the separation between the equipment and receiver.
- Connect the equipment into an outlet on a circuit different from that to which the receiver is connected.
- Consult the dealer or an experienced radio/TV technician for help.

#### SAR Information Statement

Your wireless phone is a radio transmitter and receiver. It is designed and manufactured not to exceed the emission limits for exposure to radiofrequency (RF) energy set by the Federal Communications Commission of the U.S. Government. These limits are part of comprehensive guidelines and establish permitted levels of RF energy for the general population. The guidelines are based on standards that were developed by independent scientific organizations through periodic and thorough evaluation of scientific studies. The standards include a substantial safety margin designed to assure the safety of all persons, regardless of age and health. The exposure standard for wireless mobile phones employs a unit of measurement known as the Specific Absorption Rate, or SAR. The SAR limit

set by the FCC is 16 W/kg. \* Tests for SAR are conducted with the phone transmitting at its highest certified power level in all tested frequency bands. Although the SAR is determined at the highest certified power level, the actual SAR level of the phone while operating can be well below the maximum value. This is because the phone is designed to operate at multiple power levels so as to use only the power required to reach the network. In general, the closer you are to a wireless base station antenna, the lower the power output. Before a phone model is available for sale to the public, it must be tested and certified to the FCC that it does not exceed the limit established by the government adopted requirement for safe exposure. The tests are performed in positions and locations (e.g. at the ear and worn on the body) as required by the FCC for each model. The highest SAR value for this model phone when tested for use at the ear is 0.881 W/kg and when worn on the body as described in this user guide, is 1.233 W/kg (Body-worn measurements differ among phone models, depending upon available accessories and FCC requirements). While there may be differences between the SAR levels of various phones and at various positions, they all meet the government requirement for safe exposure. The FCC has granted an Equipment Authorization for this model phone with all reported SAR levels evaluated as in compliance with the FCC RF exposure guidelines. SAR information on this model phone is on file with the FCC and can be found under the Display Grant section of <http://www.fcc.gov/oet/fccid> after searching on FCC ID: 655310426. Additional information on Specific Absorption Rates (SAR) can be found on the Cellular Telecommunications Industry Association (CTIA) web-site at <http://www.ctia.com>. \* In the United States and Canada, the SAR limit for mobile phones used by the public is 1.6 watts/kg (W/kg) averaged over one gram of tissue. The standard incorporates a sub-stantial margin of safety to give additional protection for the public and to account for any variations in measurements.

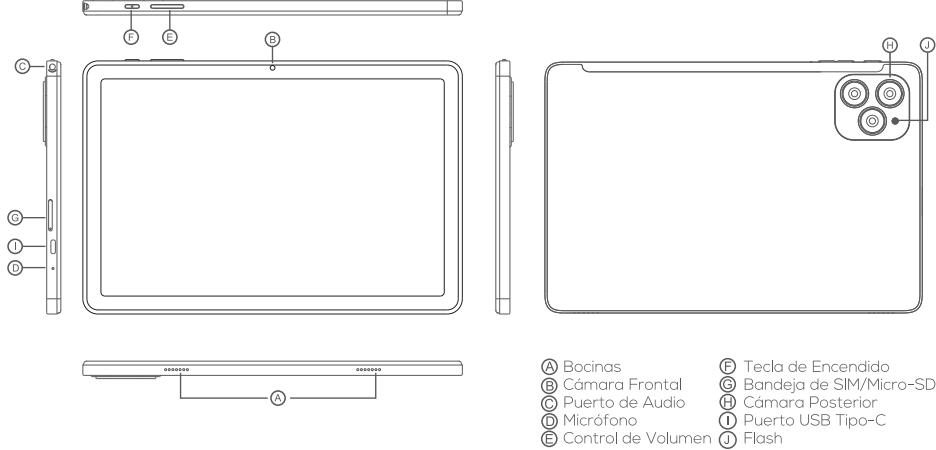
Body-worn Operation  
This device was tested for typical body-worn operations. To comply with RF exposure requirements, a minimum separation distance of 10mm must be maintained between the user's body and the handset, including the antenna. Third-party belt-clips, holsters, and similar accessories used by this device should not contain any metallic components. Body-worn accessories used by this device should meet these requirements may not comply with RF exposure requirements and should be avoided. Use only the supplied or an approved antenna.

# LOGIC L-PAD



## MANUAL DE USUARIO

### 1. DESCRIPCIÓN GENERAL DEL HARDWARE



- A Bocinas
- B Cámara Frontal
- C Puerto de Audio
- D Micrófono
- E Control de Volumen
- F Tecla de Encendido
- G Bandeja de SIM/Micro-SD
- H Cámara Posterior
- I Puerto USB Tipo-C
- U Flash

### 2. BIENVENIDO

Este manual de usuario, junto con las instrucciones de funcionamiento y el folleto de información legal, forman parte del producto. Por favor, lea toda esta información detenidamente antes de encender su dispositivo. Contienen información importante sobre la seguridad, el uso y la eliminación del mismo.

Por favor, conserve este documento en un lugar seguro y entréguelo completo al nuevo propietario en caso de que el dispositivo cambie de manos.

Contenido del Paquete:

- Tableta L-PAD
- Adaptador de Corriente (100V-240V, 5V/2A) + Cable USB-C
- Herramienta para Ranura de Tarjeta
- Estuche Plegable Resistente
- Manual de Usuario

Retire todos los componentes del empaque y elimine el material de embalaje, incluida la película protectora. Verifique que el contenido esté completo.

Si encuentra componentes faltantes o dañados, comuníquese de inmediato con el servicio de atención al cliente.

\*Dependiendo del modelo

#### Operación y almacenamiento

- Temperaturas: 5°C a 30°C
- Humedad relativa: 30% a 70%
- Consulte las instrucciones de funcionamiento detalladas para conocer las especificaciones técnicas del adaptador de corriente y la batería. La batería de este producto no puede ser reemplazada fácilmente por el usuario.

### 3. ESPECIFICACIONES TÉCNICAS

Sistema Operativo	Android 16.0
Pantalla	10.1" IPS (HD) 800*1280
RAM	4GB + 8GB Máximo extendido
ROM	64GB
CPU	Unisoc T310 Quad-Core
GPU	VR GE8300
Batería	5000mAh, Li-Ion Polymer
Puertos	Tipo-C 2.0, ø3.5mm Conector estándar para audífonos
Cámaras	Cámara Frontal 5MP, Cámara Posterior 13MP
Bandeja de Tarjetas	Dual SIM con / ranura Micro SD
GPS/AGPS	Si
Voltaje	5V/2A
Acceso a la Red	WiFi 2.4G y 5G, BT v5.0 4G: B2/3/4/5/7/8/17/28AB/38/66 3G: B1/2/5/B 2G: QUAD-BAND

### 4. GUÍA RÁPIDA

#### Carga de la Tableta

Por favor, cargue completamente su tablet antes de utilizarla por primera vez.

- a) Conecte el cable USB al adaptador de corriente incluido y al puerto de carga (USB-C) de la tablet.
- b) Luego conecte el adaptador de corriente a una toma eléctrica.

\* Mantenga el adaptador de corriente conectado solo hasta que la batería de la tablet esté completamente cargada.

Además, desconecte siempre de la tablet cuando no está en uso.

**IMPORTANTE:** No cargue la tablet a través de puertos USB de una PC o laptop. La energía requerida de más de 2A puede sobrecargar eléctricamente estos puertos. Encienda de la tablet por primera vez. Presione el botón de encendido/apagado durante aproximadamente 5 segundos.

\* Cada vez que encienda la tablet después de configurarla, aparecerá la pantalla de bloqueo durante el inicio. Para desbloquearla, deslice el dedo hacia arriba desde la parte inferior de la pantalla.

#### Menú de aplicaciones

El menú de aplicaciones contiene todas las funciones importantes de su tablet. Puede encontrar todas las aplicaciones y widgets instalados deslizando hacia arriba desde la parte inferior de la pantalla.

\* El ícono para abrir la configuración (⚙️) del dispositivo también se encuentra allí. Activación de WiFi y apertura del navegador.

- a) Abra la configuración.
- b) En configuración, toque "Red e Internet" → "Internet".
- c) Use la punta de su dedo para mover el control de Wi-Fi de izquierda a derecha.
- d) Toque la palabra "Wi-Fi". La tablet buscará todas las redes inalámbricas disponibles.
- e) Toque la red a la que desea conectarse.
- f) Ingrese la clave de red (contraseña) si es necesario.
- g) Toque "Conectar". La tablet se conectará a la red seleccionada.

#### Navegador



El navegador es una aplicación ubicada en el menú de aplicaciones. Toque el ícono para abrir el navegador. Para ingresar una dirección de internet (URL), escribala en la barra de búsqueda que aparece en la parte superior central de la ventana.

#### Descarga e instalación de apps mediante Google Play™

- Debe estar conectado a internet para poder descargar aplicaciones. También necesita una cuenta de Google™.
- a) Abra la "Play Store" en el menú de aplicaciones.
  - b) Inicie sesión con su cuenta de Google. Google Play se abrirá una vez que haya iniciado sesión correctamente.
- \* Si aún no tiene una cuenta de Google, toque "O crear una nueva cuenta" en la ventana de inicio de sesión. Un asistente lo guiará durante el proceso de creación.
- c) Seleccione una aplicación.
  - \* Puede buscar en "Play Store" utilizando la barra de búsqueda en la parte superior de la pantalla o seleccionando la categoría deseada.
  - d) Toque "Instalar" en la aplicación seleccionada.
- \* También es posible que deba aceptar los términos de uso. Las aplicaciones de pago deben comprarse antes de descargarlas. Puede encontrar la aplicación instalada en el menú de aplicaciones.

#### Reinicio

Si la tablet se "congela" y deja de responder, puede reiniciarla. Para hacerlo, mantenga presionado el botón de encendido/apagado hasta que la tablet se reinicie. Luego puede saltar el botón.

\* Los archivos que no se hayan guardado se perderán al reiniciar la tablet.

#### Modo de espera (Standby)

Presione brevemente el botón de encendido/apagado para activar el modo de espera. Presiónelo nuevamente para salir de este modo.

#### Apagar la tablet

- a) Presione el botón de encendido/apagado durante aproximadamente 2 segundos. Aparecerá una ventana de opciones.
- b) Toque "Apagar" en la ventana. La tablet se apagará.

#### Ahorro de Energía

- Desactive la función WiFi cuando no esté en uso.
- Mantenga el adaptador de corriente conectado solo hasta que la batería de la tablet esté completamente cargada. Además, desconecte siempre de la tablet cuando no la está cargando.
- Reduzca el brillo de la pantalla en "Pantalla" → "Nivel de brillo" dentro de la configuración.
- Active el modo de espera o apague completamente la tablet si no la está utilizando.

#### Inserción de la SIM / tarjeta microSD

Inserte cuidadosamente la herramienta en el orificio junto a la bandeja de la tarjeta SIM y presione suavemente para extraerla. Coloque una tarjeta nano SIM en la parte inferior de la bandeja. En la parte frontal puede insertar una segunda nano SIM o una tarjeta microSD. Luego, vuelva a introducir la bandeja cuidadosamente en la tablet.

#### FCC Statement

1. This device complies with Part 15 of the FCC Rules. Operation is subject to the following two conditions:

(1) This device may not cause harmful interference.

(2) This device must accept any interference received, including interference that may cause undesired operation.

2. Changes or modifications not expressly approved by the party responsible for compliance could void the user's authority to operate the equipment.

NOTE: This equipment has been tested and found to comply with the limits for a Class B digital device, pursuant to Part 15 of the FCC Rules. These limits are designed to provide reasonable protection against harmful interference in a residential installation.

This equipment generates uses and can radiate radio frequency energy and, if not installed and used in accordance with the instructions, may cause harmful interference to radio communications. However, there is no guarantee that interference will not occur in a particular installation. If this equipment does cause harmful interference to radio or television reception, which can be determined by turning the equipment off and on, the user is encouraged to try to correct the interference by one or more of the following measures:

- Reorient or relocate the receiving antenna.
- Increase the separation between the equipment and receiver.
- Connect the equipment into an outlet on a circuit different from that to which the receiver is connected.
- Consult the dealer or an experienced radio/TV technician for help.

#### SAR Information Statement

Your wireless phone is a radio transmitter and receiver. It is designed and manufactured not to exceed the emission limits for exposure to radiofrequency (RF) energy set by the Federal Communications Commission of the U.S. Government. These limits are part of comprehensive guidelines and establish permitted levels of RF energy for the general population. The guidelines are based on standards that were developed by independent scientific organizations through periodic and thorough evaluation of scientific studies. The standards include a substantial safety margin designed to assure the safety of all persons, regardless of age and health. The exposure standard for wireless mobile phones employs a unit of measurement known as the Specific Absorption Rate, or SAR. The SAR limit

set by the FCC is 16 W/kg. \* Tests for SAR are conducted with the phone transmitting at its highest certified power level in all tested frequency bands. Although the SAR is determined at the highest certified power level, the actual SAR level of the phone while operating can be well below the maximum value. This is because the phone is designed to operate at multiple power levels so as to use only the power required to reach the network. In general, the closer you are to a wireless base station antenna, the lower the power output. Before a phone model is available for sale to the public, it must be tested and certified to the FCC that it does not exceed the limit established by the government adopted requirement for safe exposure. The FCC has granted an Equipment Authorization for this model phone with all reported SAR levels evaluated as in compliance with the FCC RF exposure guidelines. SAR information on this model phone is on file with the FCC and can be found under the Display Grant section of <http://www.fcc.gov/oet/fccid> after searching on FCC ID: G55310426. Additional information on Specific Absorption Rates (SAR) can be found on the Cellular Telecommunications Industry Association (CTIA) web-site at <http://www.wow-com.com>. \* In the United States and Canada, the SAR limit for mobile phones used by the public is 1.6 watts/kg (W/kg) averaged over one gram of tissue. The standard incorporates a substantial margin of safety to give additional protection for the public and to account for any variations in measurements.

This device was tested for typical body-worn operations. To comply with RF exposure requirements, a minimum separation distance of 10mm must be maintained between the user's body and the handset, including the antenna. Third-party belt-clips, holsters, and similar accessories used by this device should not contain any metallic components. Body-worn accessories that do not meet these requirements may not comply with RF exposure requirements and should be avoided. Use only the supplied or an approved antenna.